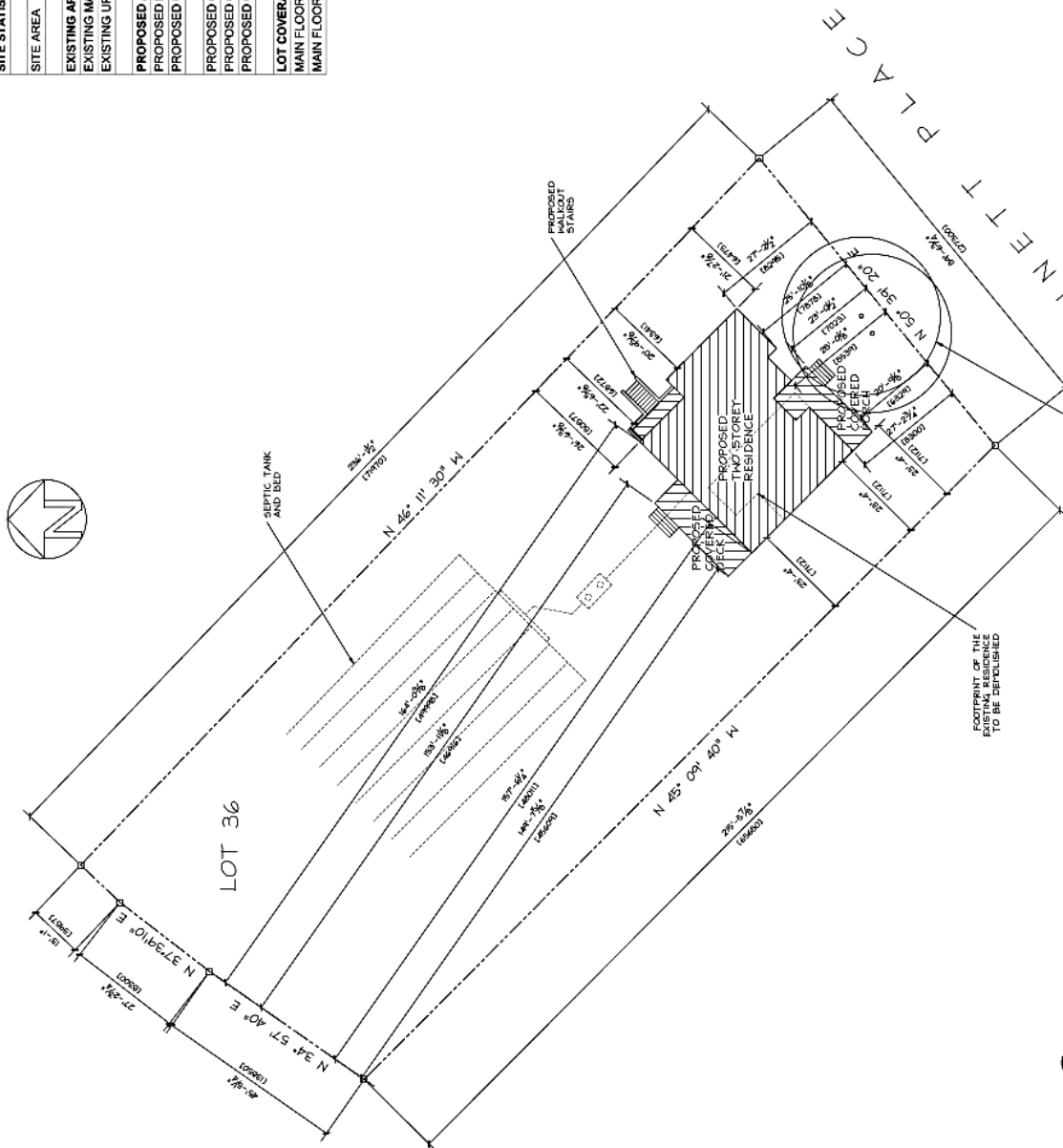
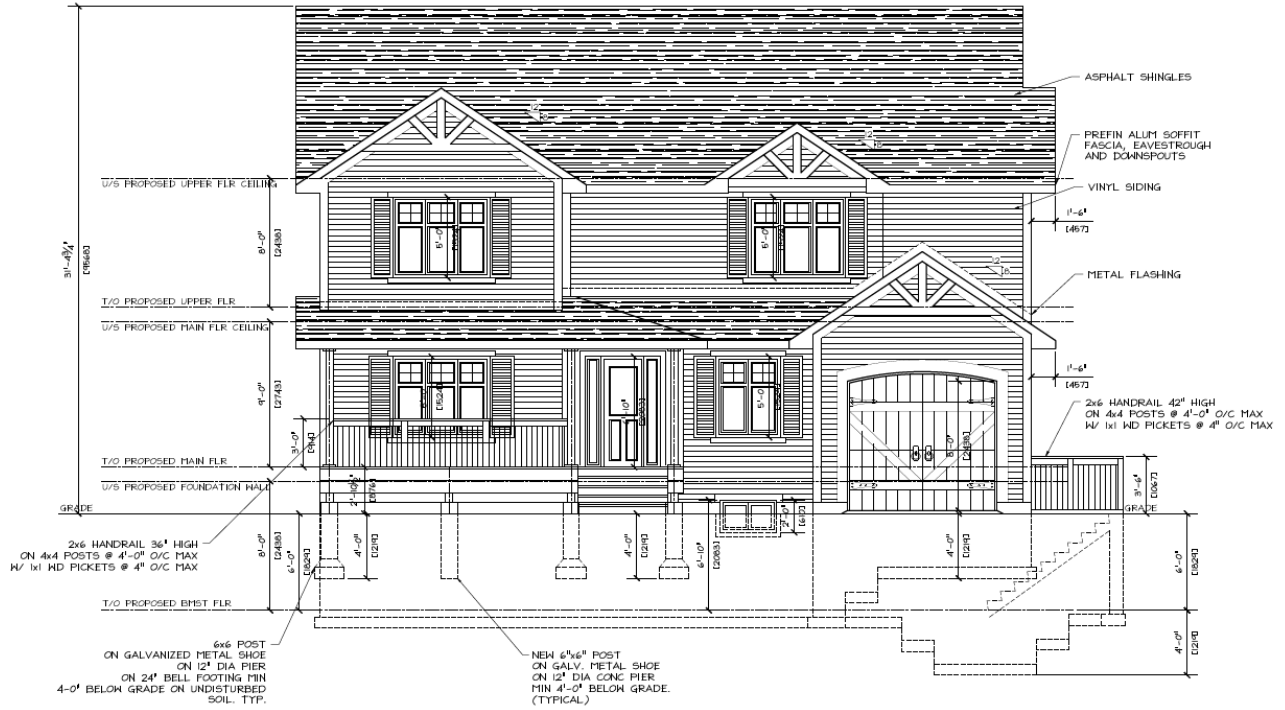


Site Plan – 9 Bennett Place, Glen Williams

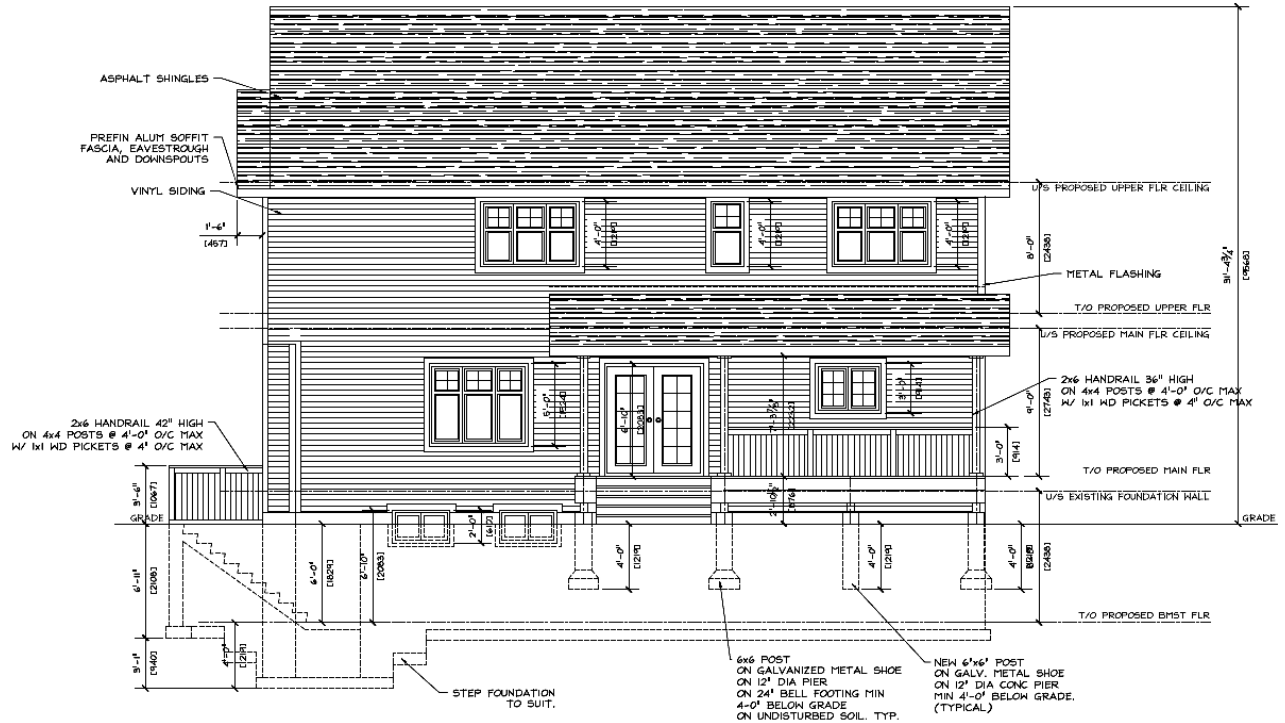
SITE STATISTICS		
SITE AREA	SO FT	SQ M
	19732.66	1833.16
EXISTING AREAS:		
EXISTING MAIN FLOOR HABITABLE	537.81	49.96
EXISTING UPPER FLOOR HABITABLE	467.85	43.46
PROPOSED AREAS:		
PROPOSED MAIN FLOOR HABITABLE	1164	108.14
PROPOSED UPPER FLOOR HABITABLE	1364.5	126.76
PROPOSED COVERED DECK	200	18.58
PROPOSED COVERED PORCH	180	16.72
PROPOSED GARAGE:	310	28.80
LOT COVERAGE %:		
MAIN FLOOR + GARAGE + PORCH + DECK / LOT %		9.40
MAIN FLOOR + UPPER FLOOR / LOT %		12.81



Front Elevation



Rear Elevation



Side Elevations

